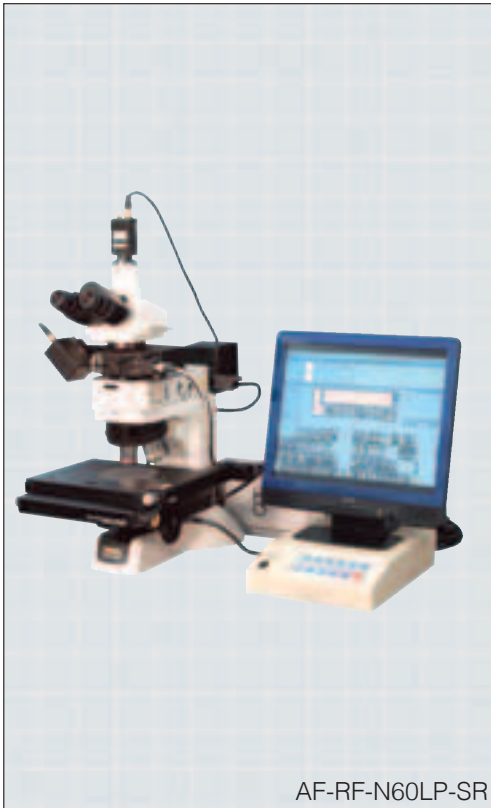




AF-RF

オートフォーカス顕微鏡(ステージ駆動タイプ) / Autofocus Microscope (AF drive insertion type)



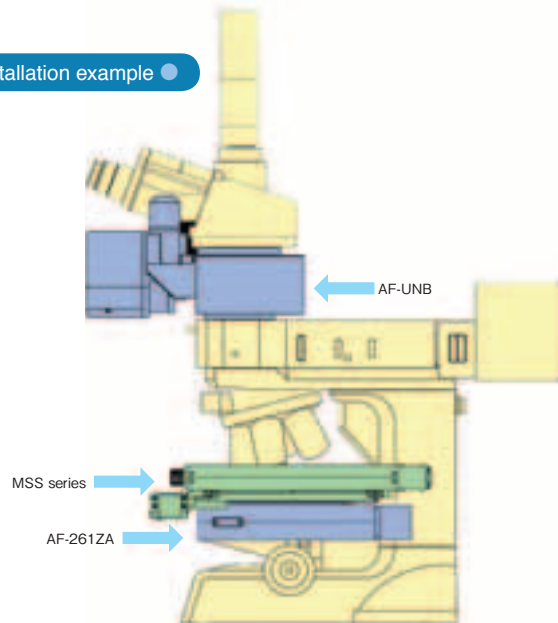
AF-RF-N60LP-SR

Features 特長

- ① 市販顕微鏡を簡単にオートフォーカス化できます。
- ② 中央精機独自の薄型差込式駆動部により微動輪部分を改造せずに高速追従駆動が可能です。
- ③ 当社自動XYステージMSSシリーズとの組み合わせでXYZオートシステムの構築が可能です。
- ④ 他の中央精機AFと同様、ガラス、プラスチック等透明体へのAF性能は業界随一です。

- ① Easy to turn a commercially-available microscope into an autofocus model.
- ② Attaching AF-261ZA to the microscope allows for high speed tracking.
- ③ Combining a micro scanning stage (MSS series) with our automatic XY stage gives you the automatic XYZ system.
- ④ As with other Chuo Precision AF systems, competitive AF-RF performance on transparent samples such as glass or plastic.

● 取付例 / Installation example ●



Specifications 仕様

対象顕微鏡	ニコン、オリンパス製対応	
駆動部	型式	AF-261ZA
	最小分解能	0.078 μ m/1パルス
	移動量	2mm
ケーブル	センサ用ロボットケーブル、パターン用ロボットケーブル、モータ用ロボットケーブル 各3m(標準) (ただし、15mまで対応可能)	
合焦方式	ラインセンサ方式	
合焦条件	サーチ範囲	$\pm 250\mu$ m(対物レンズ20 \times)
	サーチタイム	0.3秒以内/サーチ(上記条件時)
AF精度	焦点深度の1/4	

※ 特別仕様もご相談ください。

※ 顕微鏡システムは別途お求めください。

※ AF精度、サーチタイムは試料の条件等によって異なります。

Microscopes	Nikon, Olympus	
Drive unit	Model	AF-261ZA
	Limiting resolution	0.078 μ m per pulse
	Travel	2mm
Cable	Robot cable for sensor, Robot cable for pattern, Robot cable for motor 3m each (standard) (changeable up to 15m)	
Focusing	Line sensor method	
Focusing conditions	Search range	$\pm 250\mu$ m(objective lens 20 \times)
	Search time	0.3 sec. or less per search(in the above condition)
AF Precision	One quarter of focus depth	

※ Inquire for custom specifications.

※ For custom specifications, provide us with your objective lenses and TV camera.

※ The autofocus accuracy and search time vary depending on the sample conditions, etc.



型式表示 / Product Number

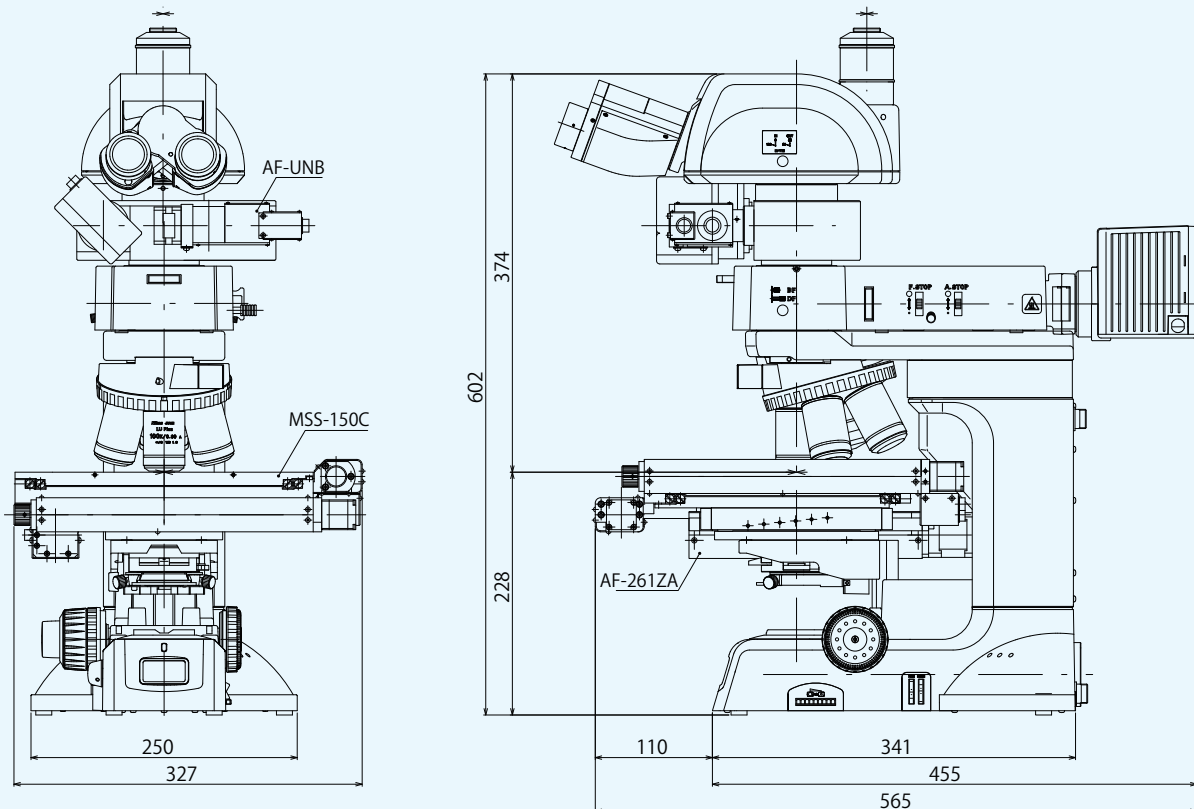
● オートフォーカス顕微鏡(ステージ駆動タイプ) / Autofocus Microscope(AF drive insertion type)

AF-RF S2-NLP-SV

AF-RF	S2	N	L	P	S	V
型式記号	センサ部	対物レンズ	投光部	パターン部	センサ倍率	AF光源
	無印: 1ラインセンサ S2: 2ラインセンサ ※ S2使用の場合は三眼鏡筒は使用不可	N: ニコンCF/IC N60: ニコンCFI60 L: オリンパス M: ミツトヨ	L: 投光管	無印: パターン移動装置無 P: パターン移動装置有	S: 標準 H: 高倍	V: 可視 R: 赤外 ※ 赤外は投光管使用の場合のみ使用可能
AF-RF	S2	N	L	P	S	V
Model	Sensor unit	Objective lens	Illumination unit	Pattern unit	Magnification of sensor	AF light source
	Blank: 1 line sensor S2: 2 line sensors * If using S2, a trinocular lens barrel cannot be used.	N: NikonCF/IC N60: NikonCFI60 L: Olympus M: Mitutoyo	L: With an illumination tube	Blank: Without a pattern travel device P: With a pattern travel device	S: Standard H: High magnification	V: Visible R: Infrared * Infrared is allowed only when the illumination tube is used.

Product Number Guidance

外形寸法図 / Dimensions Drawing



AF-RF-N60LP-SR



● オートフォーカス構成表 / Autofocus Composition table

製品名 Product Name	製品番号 Product Number	鏡筒部 Lens barrel unit			センサ部 Sensor unit 1ラインセンサ (2ラインセンサ) 1 line sensor (2 line sensors) ※	対物レンズ Objective lens			
		AF-I型 AF-I type	AF-77VB型 AF-77VB type	AF-UNB型 AF-UNB type		ニコン Nikon		オリンパス Olympus	ミットヨ Mitutoyo
						CF/IC	CFI60		
オートフォーカス顕微鏡 Autofocus Microscope	AF-I(IS2)-N-S(H)V	●			●				
	AF-I(IS2)-N60-S(H)V	●			●	●			
	AF-I(IS2)-L-S(H)V	●			●		●		
	AF-I(IS2)-M-S(H)V	●			●			●	
オートフォーカス顕微鏡 (レボルバ対応タイプ) Autofocus Microscope (For revolver type)	AF-77VB(77VBS2)-N-S(H)V		●		●	●			
	AF-77VB(77VBS2)-N60-S(H)V		●		●		●		
	AF-77VB(77VBS2)-L-S(H)V		●		●			●	
	AF-77VB(77VBS2)-M-S(H)V		●		●				●
	AF-77VB(77VBS2)-NL-S(H)V		●		●	●			
	AF-77VB(77VBS2)-N60L-S(H)V		●		●		●		
	AF-77VB(77VBS2)-LL-S(H)V		●		●			●	
	AF-77VB(77VBS2)-ML-S(H)V		●		●				●
	AF-77VB(77VBS2)-NLP-S(H)V		●		●	●			
	AF-77VB(77VBS2)-N60LP-S(H)V		●		●		●		
	AF-77VB(77VBS2)-LLP-S(H)V		●		●			●	
	AF-77VB(77VBS2)-MLP-S(H)V		●		●				●
	AF-77VB(77VBS2)-NL-S(H)R		●		●	●			
	AF-77VB(77VBS2)-N60L-S(H)R		●		●		●		
	AF-77VB(77VBS2)-LL-S(H)R		●		●			●	
	AF-77VB(77VBS2)-ML-S(H)R		●		●				●
	AF-77VB(77VBS2)-NLP-S(H)R		●		●	●			
AF-77VB(77VBS2)-N60LP-S(H)R		●		●		●			
AF-77VB(77VBS2)-LLP-S(H)R		●		●			●		
AF-77VB(77VBS2)-MLP-S(H)R		●		●				●	
オートフォーカス顕微鏡 (ボックスタイプ) Autofocus Microscope (Box type)	AF-UNB(UNBS2)-NL-S(H)V			●	●	●			
	AF-UNB(UNBS2)-N60L-S(H)V			●	●		●		
	AF-UNB(UNBS2)-L-S(H)V			●	●			●	
	AF-UNB(UNBS2)-ML-S(H)V			●	●				●
	AF-UNB(UNBS2)-NLP-S(H)V			●	●	●			
	AF-UNB(UNBS2)-N60LP-S(H)V			●	●		●		
	AF-UNB(UNBS2)-LLP-S(H)V			●	●			●	
	AF-UNB(UNBS2)-MLP-S(H)V			●	●				●
	AF-UNB(UNBS2)-NL-S(H)R			●	●	●			
	AF-UNB(UNBS2)-N60L-S(H)R			●	●		●		
	AF-UNB(UNBS2)-L-S(H)R			●	●			●	
	AF-UNB(UNBS2)-ML-S(H)R			●	●				●
	AF-UNB(UNBS2)-NLP-S(H)R			●	●	●			
	AF-UNB(UNBS2)-N60LP-S(H)R			●	●		●		
AF-UNB(UNBS2)-LLP-S(H)R			●	●			●		
AF-UNB(UNBS2)-MLP-S(H)R			●	●				●	
オートフォーカス顕微鏡 (ステージ駆動タイプ) Autofocus Microscope (AF Drive insertion type)	AF-RF(RFS2)-NL-S(H)V			●	●	●			
	AF-RF(RFS2)-N60L-S(H)V			●	●		●		
	AF-RF(RFS2)-L-S(H)V			●	●			●	
	AF-RF(RFS2)-ML-S(H)V			●	●				●
	AF-RF(RFS2)-NLP-S(H)V			●	●	●			
	AF-RF(RFS2)-N60LP-S(H)V			●	●		●		
	AF-RF(RFS2)-LLP-S(H)V			●	●			●	
	AF-RF(RFS2)-MLP-S(H)V			●	●				●
	AF-RF(RFS2)-NL-S(H)R			●	●	●			
	AF-RF(RFS2)-N60L-S(H)R			●	●		●		
	AF-RF(RFS2)-L-S(H)R			●	●			●	
	AF-RF(RFS2)-ML-S(H)R			●	●				●
	AF-RF(RFS2)-NLP-S(H)R			●	●	●			
	AF-RF(RFS2)-N60LP-S(H)R			●	●		●		
AF-RF(RFS2)-LLP-S(H)R			●	●			●		
AF-RF(RFS2)-MLP-S(H)R			●	●				●	



投光管 Illumination unit	パターン部 Pattern unit	センサ倍率 Magnification of sensor	AF光源 AF light source		レボルバ Revolver			駆動部 Drive unit		
	AFパターン 移動装置 AF pattern travel device	低倍(高倍) Low magnification (High magnification) ※	可視 Visible	赤外 Infrared	ニコン Nikon	オリンパス Olympus	ミットヨ Mitutoyo	AF-61ZA	AF-161ZA	AF-261ZA
		●	●						●	
		●	●						●	
		●	●						●	
		●	●						●	
		●	●		●			●		
		●	●		●			●		
		●	●			●		●		
		●	●				●	●		
●		●	●		●			●		
●		●	●		●			●		
●		●	●			●		●		
●	●	●	●		●			●		
●	●	●	●		●			●		
●	●	●	●			●		●		
●	●	●	●				●	●		
●	●	●	●					●		
●	●	●	●		●			●		
●	●	●	●		●			●		
●	●	●	●			●		●		
●	●	●	●				●	●		
●	●	●	●		●			●		
●	●	●	●				●	●		
●	●	●	●					●		
●	●	●	●		●			●		
●	●	●	●		●			●		
●	●	●	●			●		●		
●	●	●	●				●	●		
●	●	●	●		●			●		
●	●	●	●				●	●		
●	●	●	●					●		●
●	●	●	●		●			●		●
●	●	●	●			●		●		●
●	●	●	●		●			●		●
●	●	●	●				●	●		●
●	●	●	●					●		●
●	●	●	●		●			●		●
●	●	●	●				●	●		●
●	●	●	●					●		●
●	●	●	●		●			●		●
●	●	●	●				●	●		●
●	●	●	●					●		●

※印はどちらかを選択下さい。 For the items marked *, choose between the options.